



BTP SERIES - PUMA™ LED HIGH BAY

Tunable Wattage / CCT + Bluetooth Controls

APPLICATIONS: INDOOR, INDUSTRIAL, COMMERCIAL, RETAIL, WAREHOUSE

The PUMA™ is the most versatile high bay available from RCA Lighting Solutions. With tunable color temperatures/brightness, optimal lighting can be achieved for all applications. The integrated Bluetooth® controls are easily adjusted via a simple app.



DLC 5.1 PREMIUM LISTED



Bluetooth Controlled Tunable Wattage and Color Temperature

Tune Power/Light Output From 0 to 200 Watts

Tune Color Temperature (3000K - 5000K)

33,000 Max Lumens @ 4000K

STANDARD FEATURES

Out-Of-The Box



TUNABLE CCT AND BRIGHTNESS

Choose The Perfect Color Temp. and Brightness

Tunable color temperature and wattage included standard. Configurable via a simple to use app from a Bluetooth phone or tablet.

ADVANCED BLUETOOTH ENABLED FEATURES

Create A Completely Custom Lighting Setup In A Few Simple Steps

ONE OR MORE PUMA FIXTURES + BLUETOOTH ENABLED DEVICE + FREE TUYA APP

GROUP FIXTURES TOGETHER TO CONTROL AS ONE, SET UP MULTIPLE ROOMS

Simple Yet Powerful Tools That Make Setup Easy

Setting up the Puma wireless Bluetooth controls is straight forward and makes it convenient to achieve the desired lighting environment. All that is required is a Bluetooth enabled smart phone or tablet, and the free Tuya app.

Ordering Information

Example: BTP-200-TUN-U-120-LO

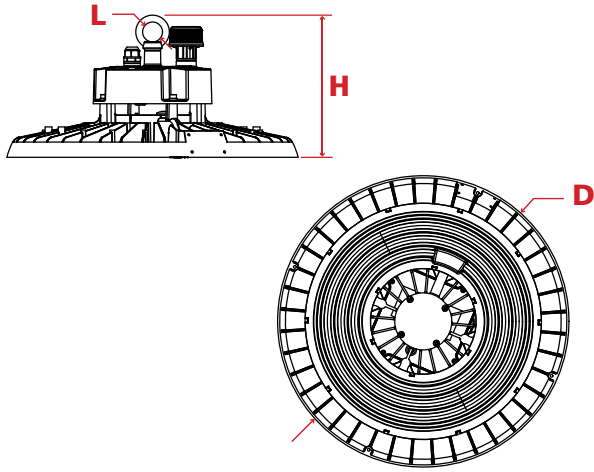
BTP	200	TUN	Beam Angle		Mounting Options	Options
Product	Power	CCT				
BTP BTP Series, "The Puma"	200 0-200W, Tunable	TUN Tunable, 3000K-5000K	120 120°, DLC v5.1 Standard*	40 40°	LO 1" ID Hanging Loop (Standard)	PR Polycarbonate Reflector
			90 90°, DLC v5.1 Premium*		AB Adjustable Bracket, +/-60° adjustment, wall/ceiling mount.	AR Aluminum Reflector
			60 120°, DLC v5.1 Premium*			SC Safety Chain

The TUYA™ logo is a registered trademark of TUYA INC. dba TUYA SMART, RCA is not affiliated with, sponsored by, or endorsed by TUYA INC. The use of the TUYA logo is solely to illustrate compatibility with the lighting product depicted on this page.

BTP SERIES - PUMA | HIGH BAY

Specs subject to change

Dimensions



Bluetooth	Height (H)	Diameter (D)	Loop (L)	Weight
Embedded	7"	14-5/16"	1" ID	7.73 lbs

Factory Default Settings

Color Temp	Brightness Setting	Lumens	Wattage
5000K	50%	15,000 lm	100W

Wireless controls are not required to turn lights on/off. The lights may be operated by a traditional switch and will return to the same brightness and color temperature settings as when they were turned off. If wireless controls are not used, the light will operate as a traditional light at the factory default brightness and color temp.

Options



HANGING LOOP	ADJUSTABLE BRACKET	POLYCARBONATE REFLECTOR	ALUMINUM REFLECTOR	SAFETY CHAIN
LO 1" ID Hanging Loop Included standard	AB Adjustable Bracket Ceiling/Wall Mount Adjusts +/- 60°	PR Polycarbonate Reflector Dimensions: 18-15/16" x 6-3/8"	AR AL1060 Aluminum Reflector with Outdoor powder coating Dimensions: 19-1/2" x 4-7/8"	SC 201 Stainless Steel Safety Chain 19.5" length, hook size: 6 x 60mm

Lighting Specifications

Delivered Lumens	30,000 lm @ 5000K / 33,000 lm @ 4000K / 28,000 lm @ 3000K
Power	0 ~ 200W Max, Tunable
Color Temperature	3000 K ~ 5000 K, Tunable
Beam Angle	120° / 90° / 60° / 40°
Efficacy	140 ~ 165 lm/W
Input Voltage	AC 120 - 277V, 50 - 60 Hz
CRI	80 +
L70 Lifetime	100,000 Hours at L ₇₀
Controls	Bluetooth™, Tuya™ App
Mounting	Hanging Loop (Standard) Adjustable Bracket

DLC Product ID Reference Chart

*DLC qualified model information:

120° beam angle models are DLC v5.1 Standard listed. 90°/60° beam angle models are DLC v5.1 Premium listed. 40° beam angle models are not DLC listed.

US Order Code	Beam Angle	DLC Prod. ID	Tech Req Ver	Classification
BTP-200-TUN-U-120	120°	S-W7CJDL	5.1	Standard
BTP-200-TUN-U-90	90°	S-W6HALN	5.1	Premium
BTP-200-TUN-U-60	60°	S-9AOIT8	5.1	Premium
BTP-200-TUN-U-40	40°	Not DLC Qualified		

Certifications & Warranty

cETLus Listed, IP65, IK08 Impact Rated, Covered by RCA Commercial 5 Year Advanced Replacement Warranty.